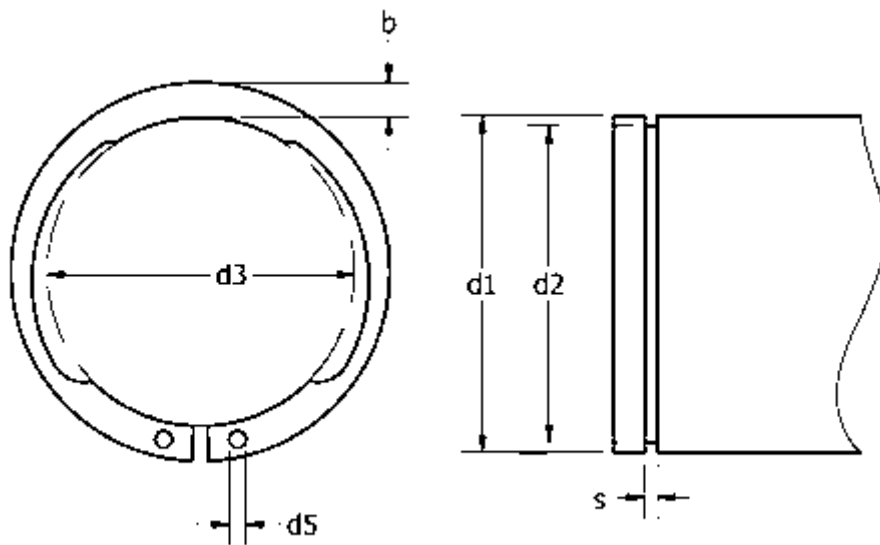


Data Sheet



Article number: 0105037A
 Description: Retaining ring AV 20
 Note: Fitted with ZGA pliers

Measures



AN mm ²	= 13.8	FRg kN	= 3.1	t	= 0.50
b	= 2.8	FR kN	= 14.6	tol	= -0.06
d1	= 20	g	= 1.5	tol	= -0.15
d2	= 19.0	K kN-mm	= 30.1	tol	= +0,13-0,42
d3	= 18.50	m min	= 1.30	tol	= 0.1
d5 min	= 1.5	n abl x 1000	= 32	Tong	= ZGA-1
Description	= AV 20	s	= 1.20	Weight kg/1000	= 1.43
FN kN	= 2.30	Side power N at I2	= 1.5		